



Sellenis
Innovation in Industrial Inkjet Technology

Sellenis S-Jet 600 TIJ 2.5 Industrial Digital Ink Jet Printers

Easy to use, no mess and zero maintenance

Connect via TCPIP (internet), USB, Ethernet cable, WIFI, Bluetooth

Create, save, edit & print from your PC using Nicelabel, Bartender etc.

Use Sellenis external protocol to communicate & print from client PC, ERP etc...

Print from printer resident or offline client databases—Full GS1 data support

Connect and print data from External Serial Devices (barcode reader, weigh scale, magnetic card reader etc...)



Print Features & Specification

Function	Specification
Print technology	HP TIJ 2.5
Printer variants	Options of 1 to 12 pen printer systems
Number of print lines	1 to 6 lines per pen depending on selected font
Print quality/resolution	Up to 600 dpi
Print height per pen/cartridge	up to 12.7 mm
Maximum height capability	Up to 150 mm
Print speed	up to 300 m/min (500ft/min or 5m/s)
Throw distance	Up to 8 mm
Fonts	Windows true fonts
Print types	Texts, logos, images, full range of 1D, 2D barcodes
Print features	Counters, real time date and time stamps, user codes, shift codes, lot numbers
	Label objects orientation, anchoring, justification
	Invert, reverse,
	Print from residents or remote offline client standard & GS1 databases
Print mode selections	Standard printing mode (external shaft encoder and external product sensor)
	Simulated continuous printing mode with automatic (software) internally generated shaft encoder and product sensor signals
	internal Shaft encoder Standard printing mode with external product sensor
	Repeat printing Mode
	Track & Trace with camera vision and product reject mechanism printing mode
	External Serial Devices printing mode (weighscale, barcoder reader, Magnetic Card Reader etc..)
	Windows driver printing mode (remote off line label creation and printing using Nicelabel, Bartender etc..) Via TCP/IP (internet), Ethernet cable or wifi.
External protocol printing mode for printer integration with customer Production IT system such ERP	

Ease of Use

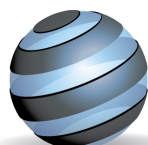
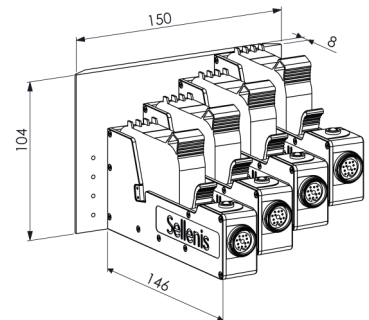
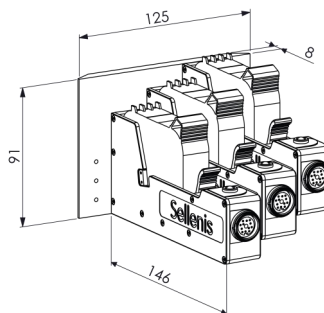
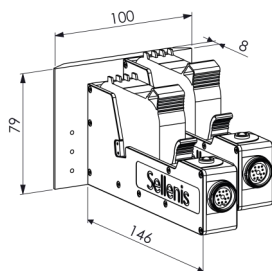
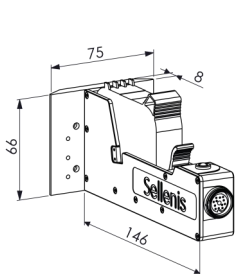
Function	Specification
User interface	10.4" capacitive IPS touch screen
Languages	English, Spanish, Chinese, French, German, Russian, Polish, Turkish, Arabic, Portuguese.. Korean, can easily add any other language
Security	Multiple password levels and user privileges set up for security purposes
Label creation, editing & saving	Easy to use and powerful template design using controller touch screen or offline PC
	Windows Driver allows off line remote label Creation, editing, saving and printing using Nicelabel or Bartender software installed on client PC
Diagnostics	Printer "health" recording, storage, report creation & display
Printer set up and configuration	Icon based Instuitive printer configuration

Ease of Integration

Function	Specification
I/O's	16 off I/O's 2 x PEC; 2 x shaft encoders; 2 x warning lights; 2 x relays; 2 x cameras; 4 printheads USB; Ethernet, Bluetooth
Internet/network connections & communications	Generate labels offline on client PC then print via TCP/IP, Connect via Ethernet cable or wifi
Remote printing and factory integration	External protocol for controlling, communicating and printing from remote client pc or production management systems such as ERP via Ethernet cable, TCP/IP, wifi
Windows Printer Driver	To allow networking of printer and ability to communicate and print from windows based software apps
Nicelabel & Bartender	Generates and print templates from powerful label generation software such as Nicelabel & Bartender installed in Sellenis controller or offline in customers PC then use Ethernet cable or wifi to send label to Sellenis' printers to be printed in real time via TCP/IP.
Connections to external serial devices	Connect, receive and print data from external serial devices such as barcode readers, weigh scales, magnetic card readers or any other external serial device using USB or RS232 Use barcode scanner for ease of use, error free data entry to print from offline customer's database
Camera Vision System GS1 Track & Trace	Connect, receive and send commands to camera vision system such as Cognex cameras for use with Read, Print, Verify, Reject and generate report for the purpose of Track and Trace implementation In conjunction with camera vision print from remote customer database unique serial number and full GS1 data barcodes

Inks

Function	Specification
Read & write to cartridge smart card	Automatic recognition of cartridge ink type, ink level and remaining number of prints
Ink level & print data display	Automatic real time live display of ink level, used ink, ink remaining and print data
Ink range	Solvent based
	Aqueous/water based
	Pigment & dye based
	Invisible UV inks UV curing inks
	Black and colours
Substrates	Print on paper, wood, plastics and metals



Sellenis

Innovation in Industrial Inkjet Technology